

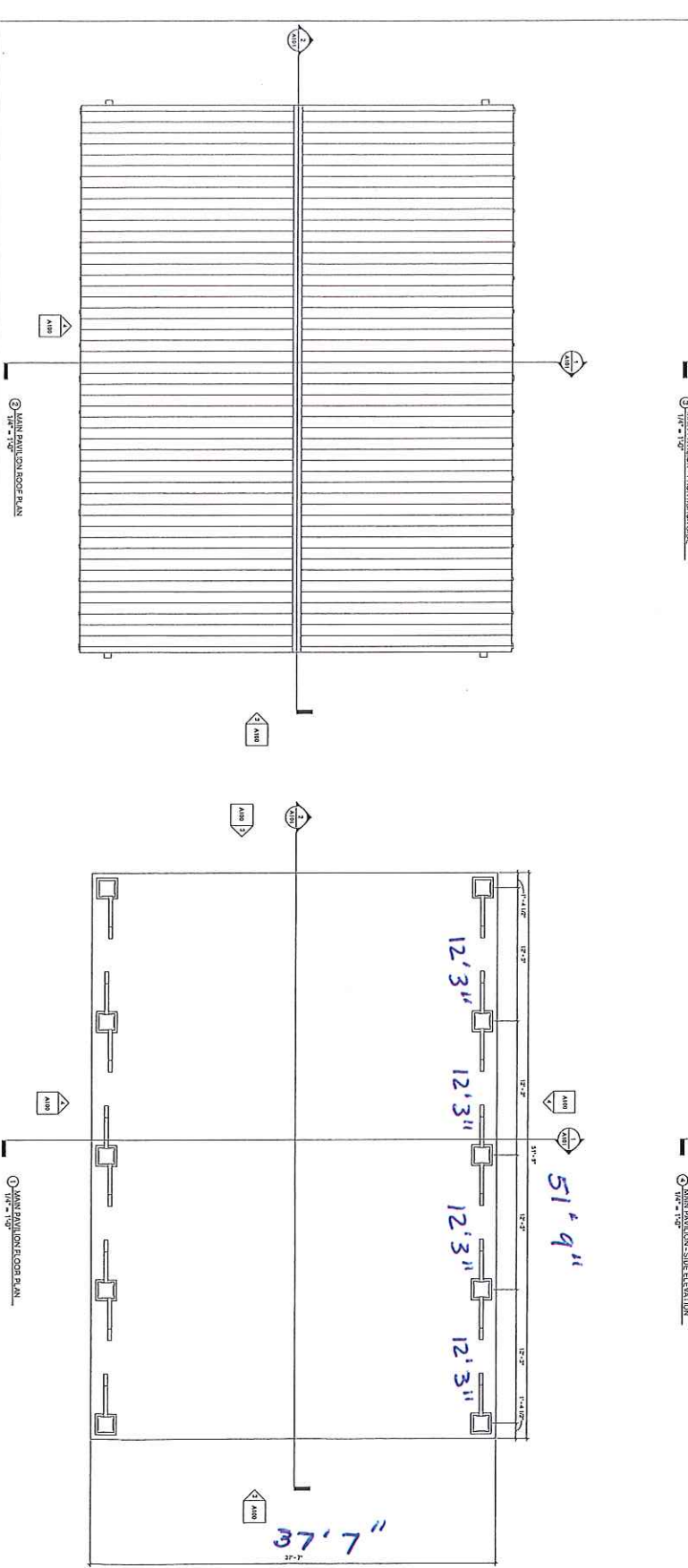
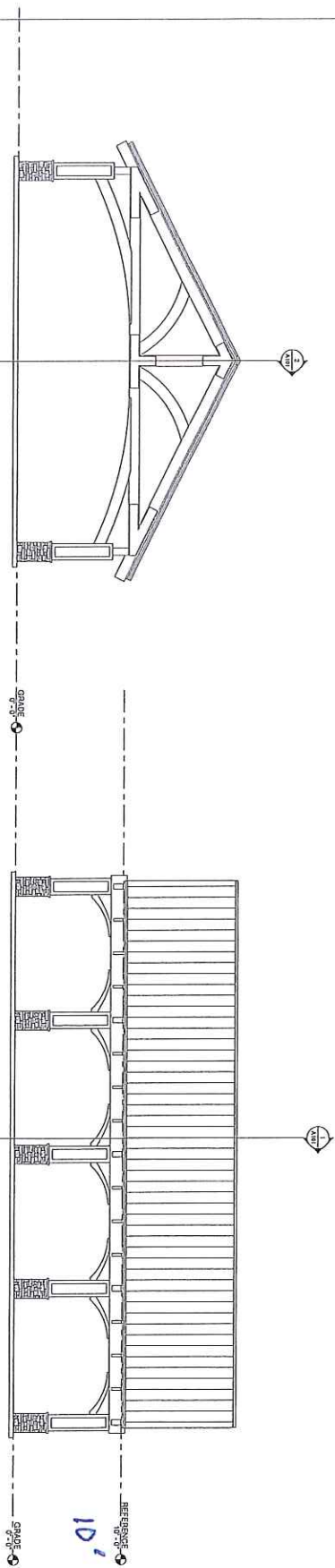
① Large Pavilion - Outside View

B.D.C.G.
 BOB BOGGS DESIGN
 CONSULTANT, LLC

SCAPE ARCHITECTURE
 8000 POTOSI RD, SUITE 100, MCCAYSVILLE, GA 31059
 PH: 404.291.0000 FAX: 404.291.0001
 WWW.SCAPEARCHITECTURE.COM

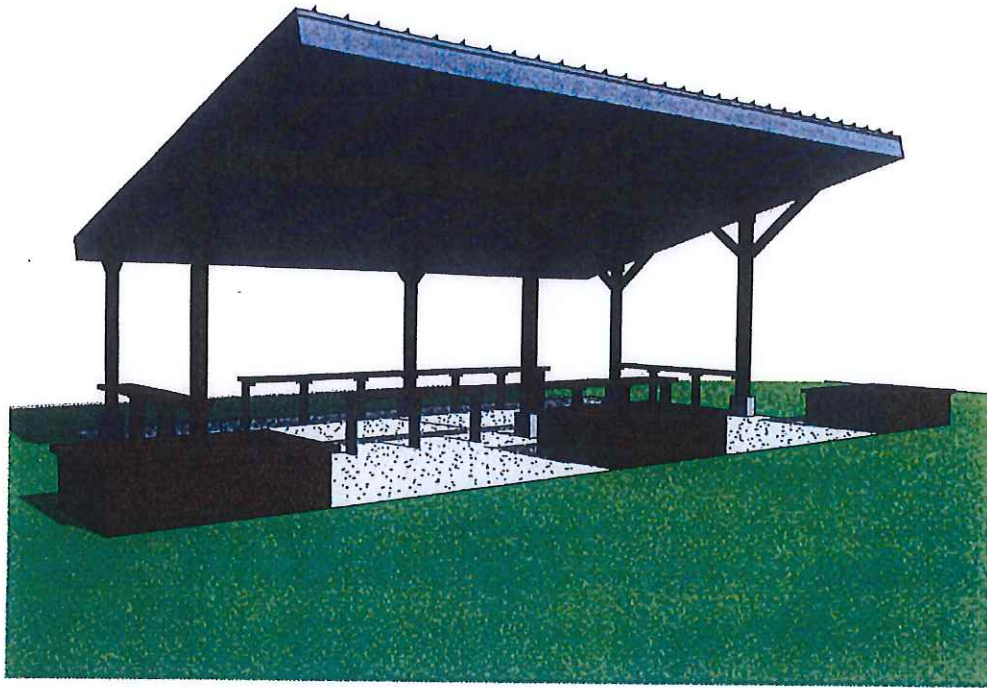
MCCAYSVILLE PARK

CITY OF MCCAYSVILLE, GA

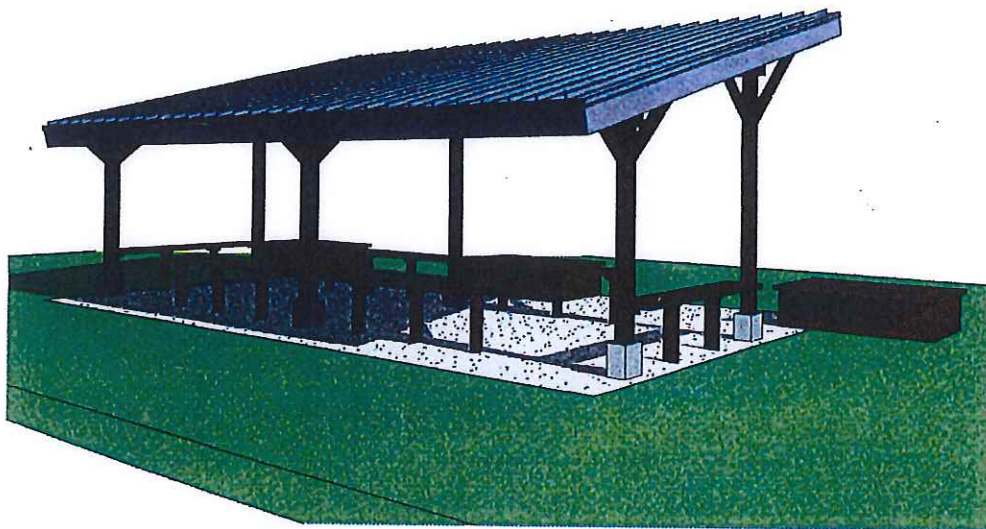


NO.	DATE	REVISION/ISSUE

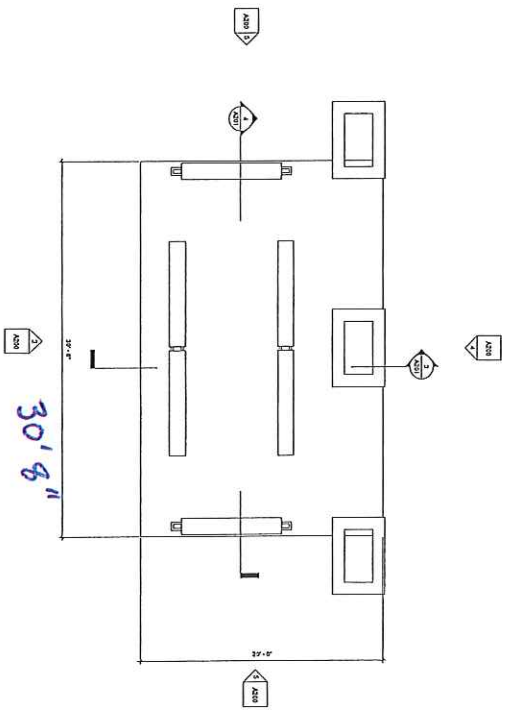
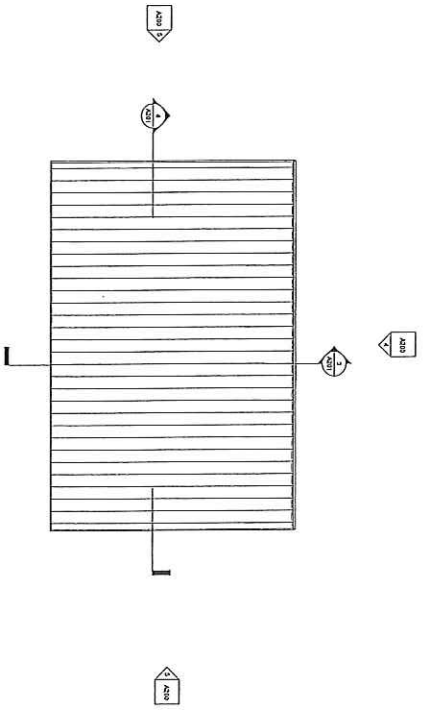
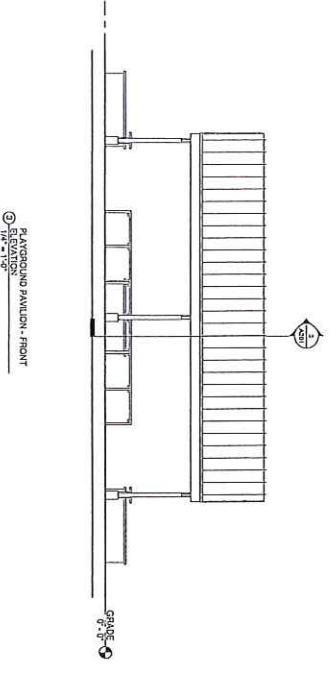
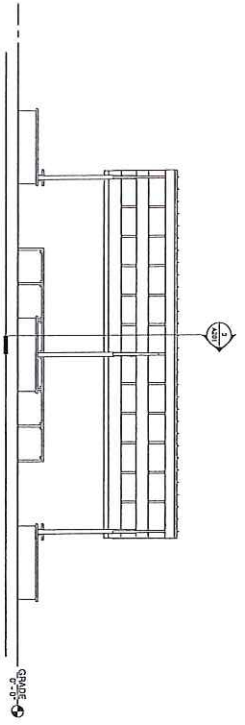
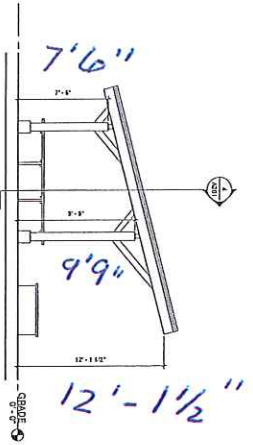
DATE	02/11/18
DRAWN	JAB
CHECKED	JAB
JOB NO.	17010
SHEET NAME MAIN PAVILION DESIGN	
SHEET NO. A100	



② Playground Pavilion - Rear View



① Playground Pavilion - Front View



MCCAYSVILLE PARK

CITY OF MCCAYSVILLE, GA

B.D.C.
 BOB FORD DESIGN
 CONSULTANT, LLC

FOR FURTHER INFORMATION CONTACT:
 BOB FORD, P.E., 4880 HUNTER HOLLOW BLVD., SUITE 100, MARIETTA, GA 30066
 PHONE: 770-426-1111 FAX: 770-426-1112
 WWW.BDFORDDESIGN.COM

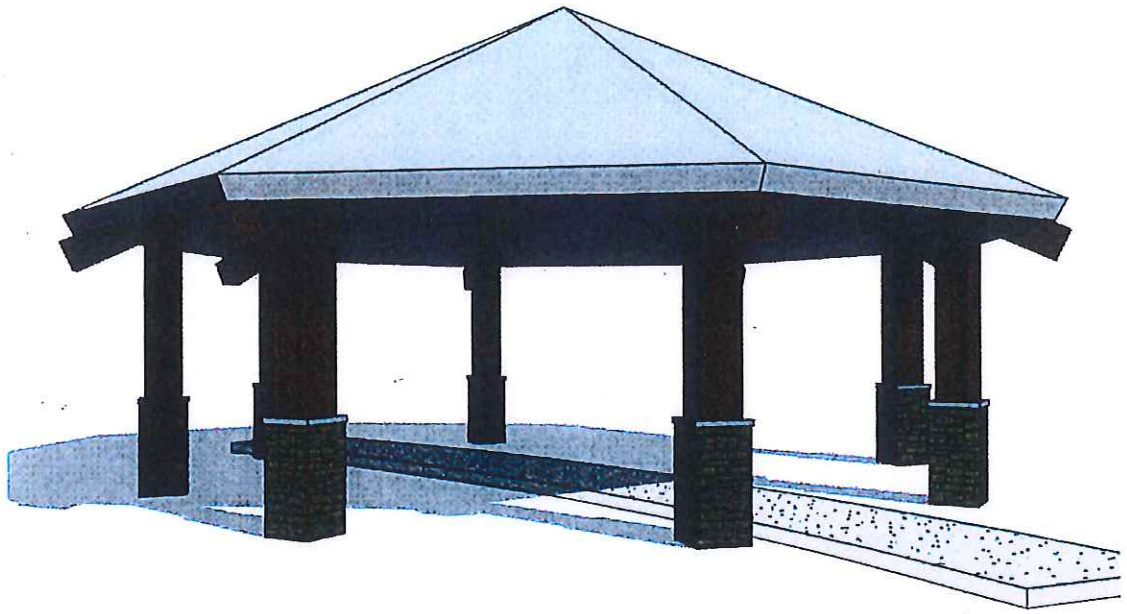
CONSULTING ENGINEER
 This seal is the property of
 BOB FORD DESIGN CONSULTANT, LLC
 and shall not be loaned, copied, or
 reused without the prior written consent of
 BOB FORD DESIGN CONSULTANT, LLC

No.	DATE	REVISION / ISSUE

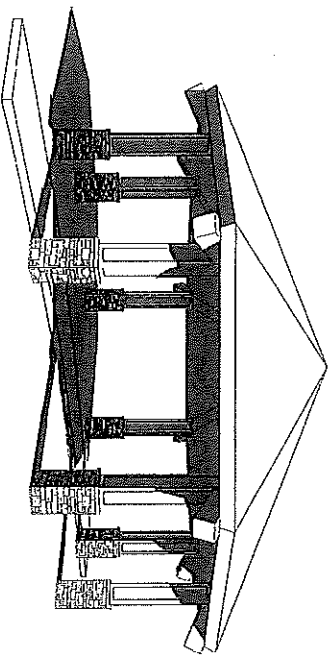
DATE	02/11/18
DRAWN	JAB
CHECKED	JAB
JOB NO.	17010

SHEET NAME
PLAYGROUND PAVILION DESIGN

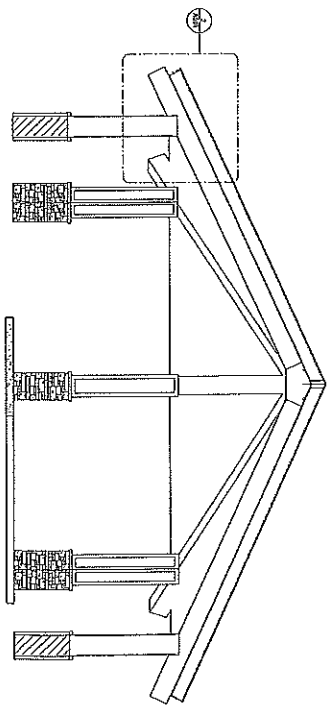
SHEET NO.
A200



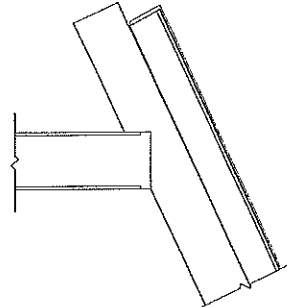
④ Octagon Pavilion



① RIVERSIDE PAVILION PERSPECTIVE



② RIVERSIDE PAVILION SECTION



③ RIVERSIDE PAVILION CONNECTION DETAIL

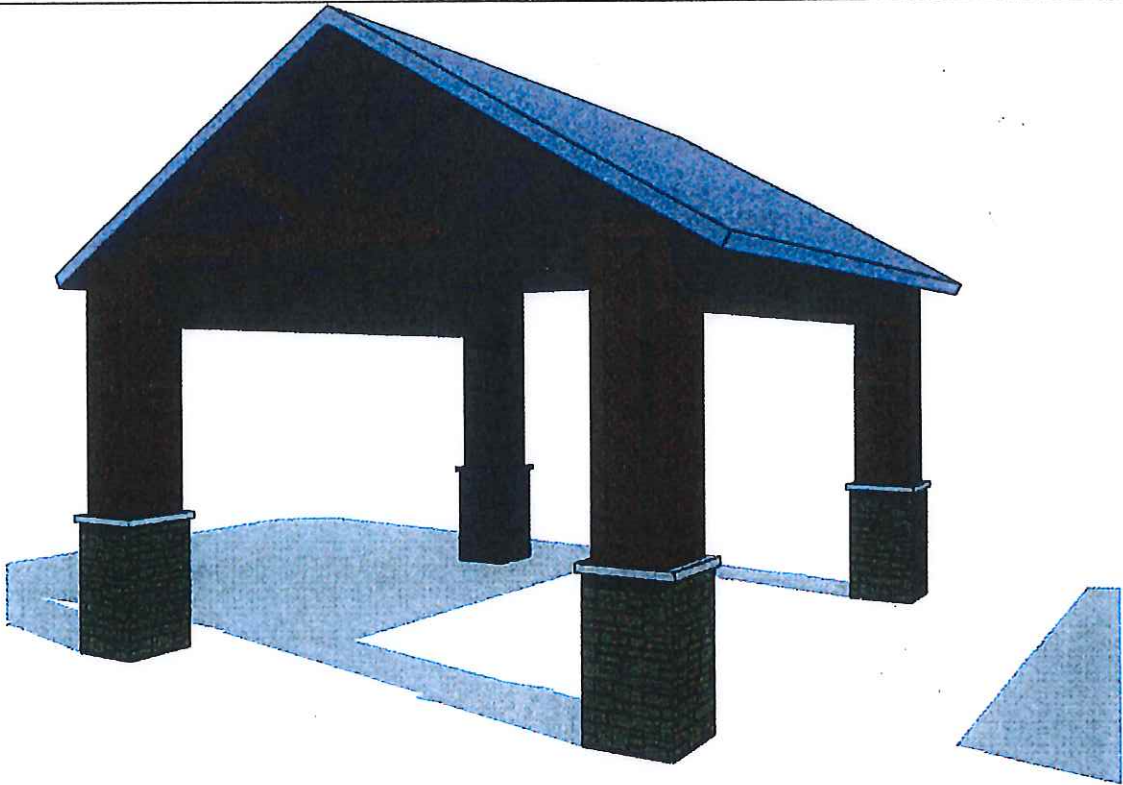
REVISION / ISSUE NO. 1 DATE DESCRIPTION 	DATE	03/17/18
	DRAWN	JAS
	CHECKED	JAS
	JOB NO.	17010
	SHEET NAME	
	RIVERSIDE PAVILION	
	SHEET NO.	
	A501	

MCCAYSVILLE PARK

CITY OF MCCAYSVILLE, GA

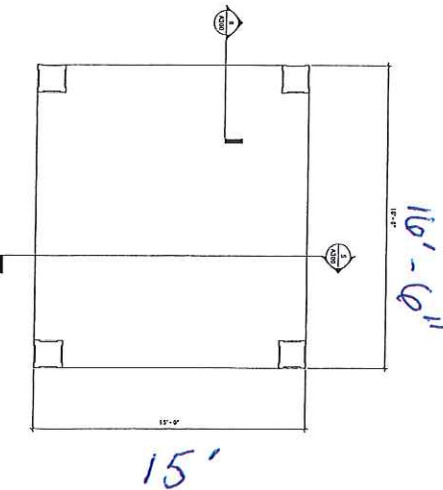
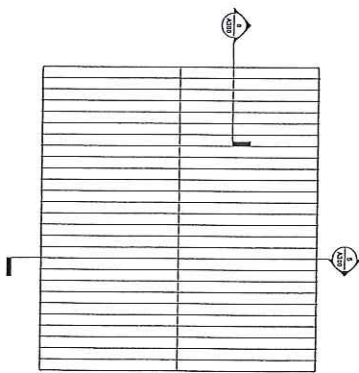
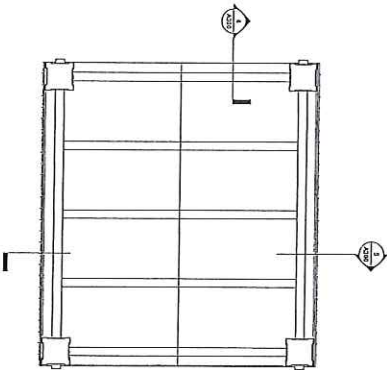
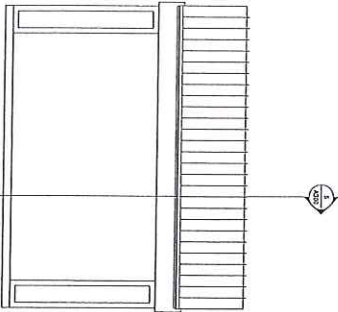
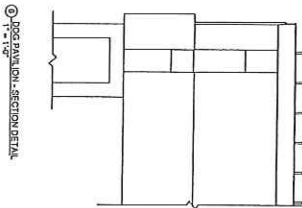
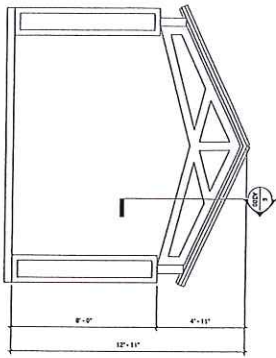
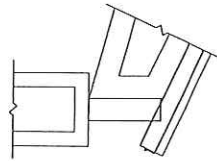
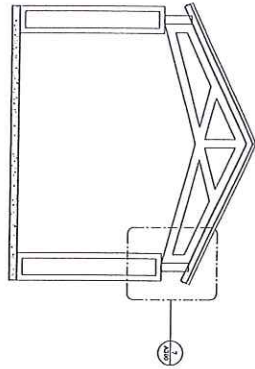
B.D.G.
BODFORD DESIGN
CONSULTANTS, LLC
www.bodforddesign.com

REGISTERED CONSULTING ENGINEER
 PROFESSIONAL ENGINEER IN MECHANICAL ENGINEERING
 STATE OF MISSISSIPPI License No. 53638



③ Gable Truss Dog Park Pavillion

NO Scissor Truss



B.D.G.
BODIFORD DESIGN GROUP, L.L.C.
1170 W. BURNING WOOD DRIVE
MCCAYSVILLE, GA 30659
PH: 770.532.4480
www.bodiforddesign.com

REGISTERED ENGINEER
REGISTERED PROFESSIONAL ARCHITECT
REGISTERED PROFESSIONAL LANDSCAPE ARCHITECT
REGISTERED PROFESSIONAL INTERIOR DESIGNER

MCCAYSVILLE PARK

CITY OF MCCAYSVILLE, GA

REVISION / ISSUE

No.	DATE	DESCRIPTION

SHEET NAME
DOG PARK PAVILION

SHEET NO.
A300

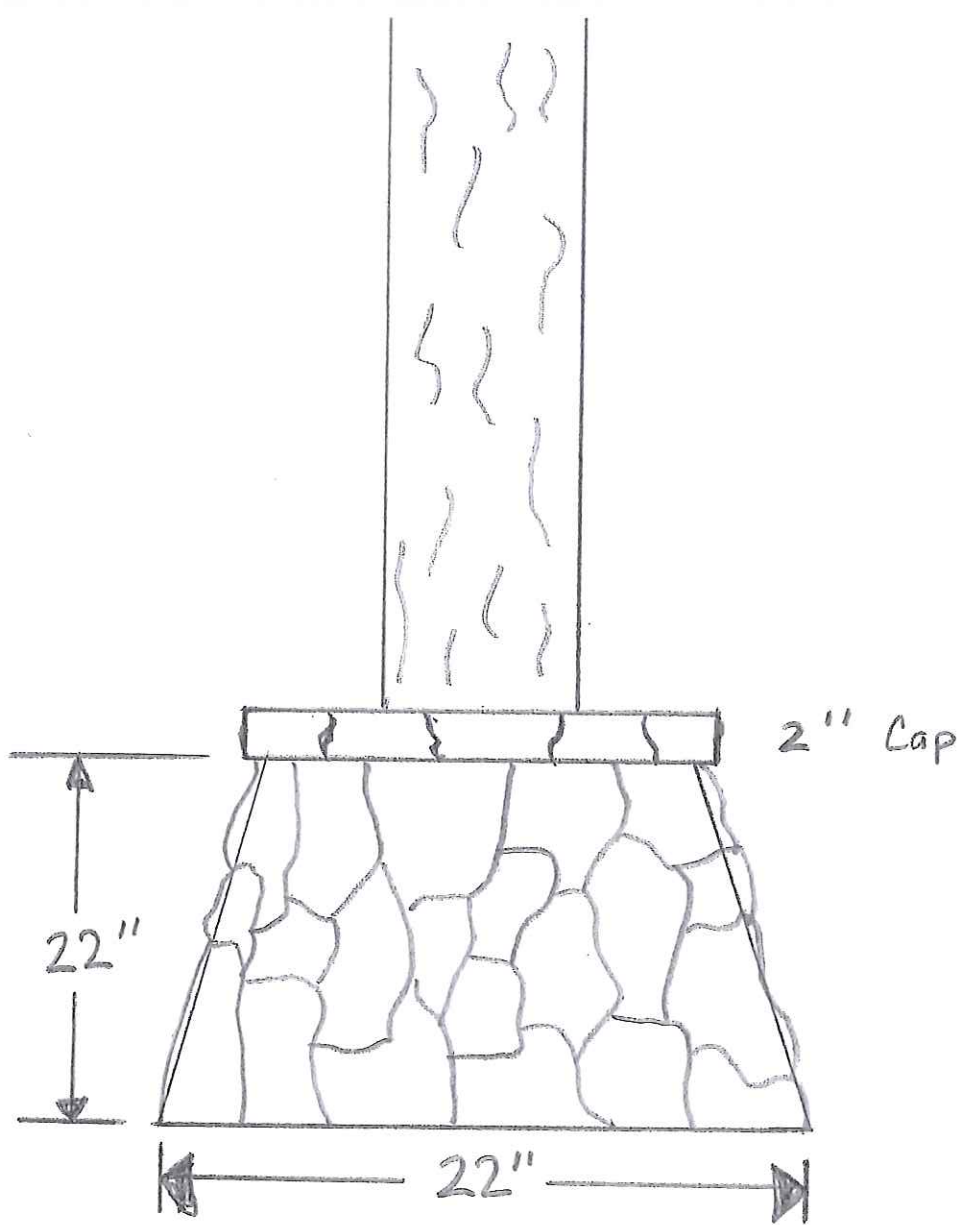


Exhibit A